



Door / Window Alarm POCSAG Transmitter

Model No. WD2 Operation Manual

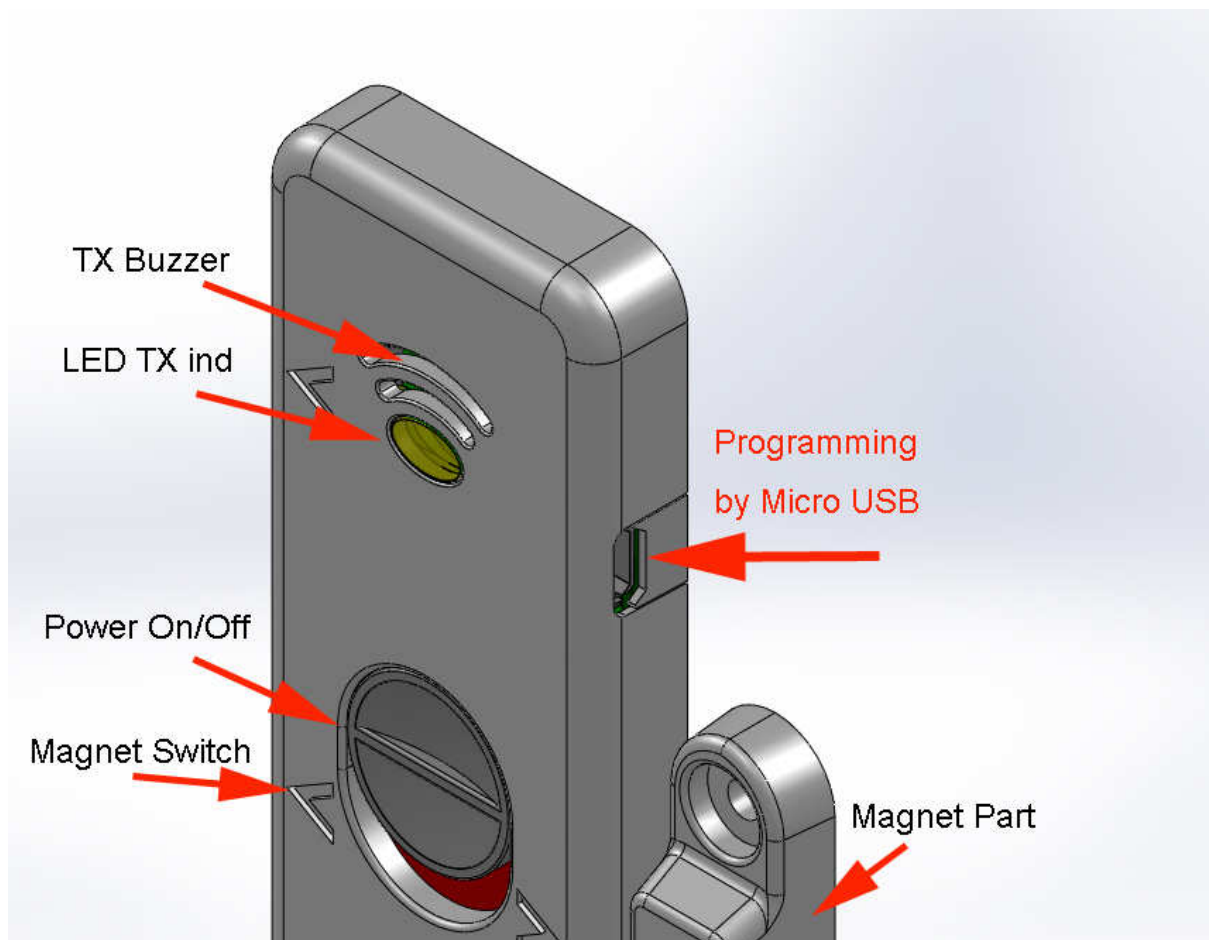


The WD2 Door/window alarm transmitter is designed to directly page security persons with the magnet switch activation either from the open to close or close to open status.

There are no wire connections necessary. And the installation is easy and simple for all kinds of operations. If the door or window is opened, it will activate the call alarm and send a message out to the set paging receiver.

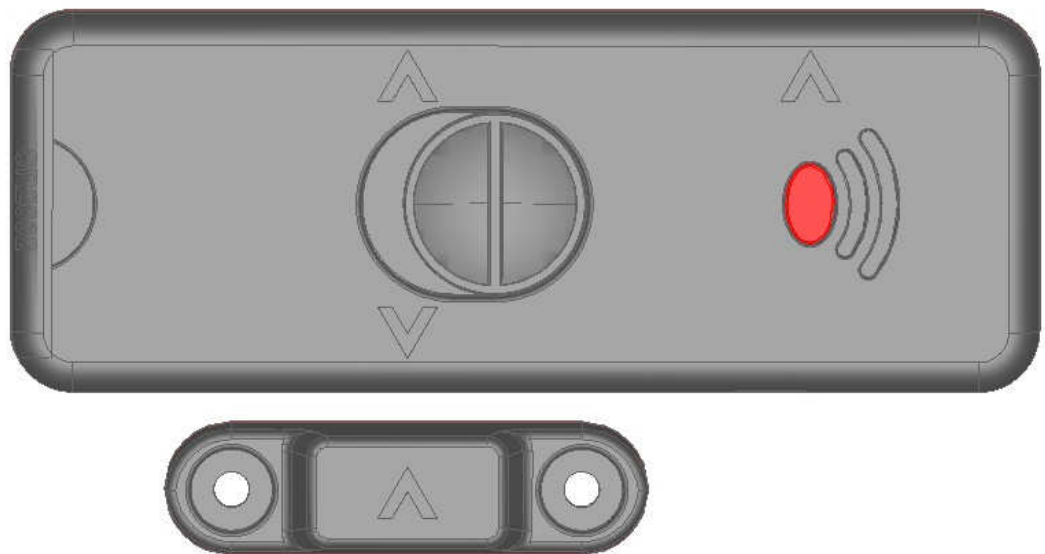
More of the various paging features can be set easily by the PC programming process.

It is easy to program and set up with the desired pager frequency, capcode, data rate, repeat time etc functions.



Main Features

- Fast response
- Direct to pagers
- Easy installation
- Easy operation
- No wires installation
- No power cord
- Antenna inside
- Long distance
- Long battery life
- Frequency synthesized
- New EU frequency correspond
- Place on the door or window
- 2 Magnet switches inside
- Programming via micro USB by PC
- Auto send battery low alarm message

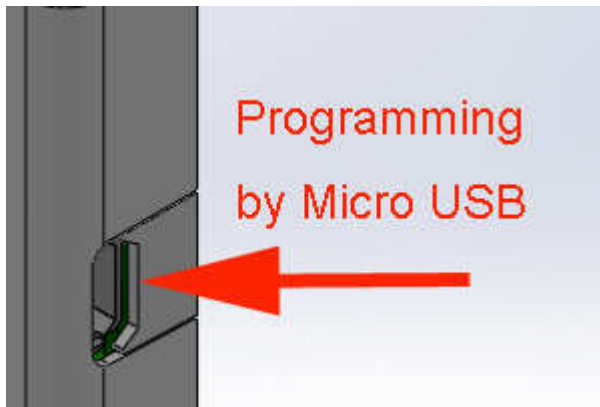


Specifications

Mode No.	WD2 Door / Window Alarm POCSAG Transmitter
Paging format:	POCSAG
Frequency::	410-490MHz, 868-930MHz Synthesized
Baud rate:	512bps / 1200bps / 2400bps.
Message:	Numeric and Alphanumeric (Max 40 Character).
Message data:	Numeric or Alphanumeric.
RF output	1-12 mW. Programming.
Modulation:	FSK ,NRZ.
Deviation:	4.5Khz.
Stability:	±10 ppm.
Pager Capacity:	1 Button and 1 Battery alarm auto trig.
Battery:	CR2032 Lithium battery x 1 PCs.
Battery life	About 1 year. (10 Times per day).
Programming I/O:	via Micro USB with P/C.
Size:	100mm X 37mm X 10mm.
Housing Color:	ABS White color. Customer color MOQ 1K Pcs.
Model Weight:	30gs (with batteries).

A. How to program the WD2

- 1).Insert the Micro USB programming cable into the WD2 set
- 2).Connect the USB cable to the P/C or N/B computer USB Port



WDIT Synthesizer POCSAG Transmitter (v3.0 on Nov.2013)

For M-810L, M-820L, M-840L, M-851L, NP-115L, TX-115L, WD2...

Tips to set up the programming parameters

1. Install the WDIT W1 programming AP execution file



2. Click W1 and then run the programming software.
3. Connect the USB plug into the your device and the PC USB port.

Example Programming Screen as Below:

	1 CapCode	2 Tone	3 Type	4 Message	5 ID
01		A	Numeric		
02		A	Numeric		
03		A	Numeric		
04		A	Numeric		
05		A	Numeric		
06		A	Numeric		
07		A	Numeric		
08		A	Numeric		
09		A	Numeric		
10		A	Numeric		
11		A	Numeric		
12		A	Numeric		
13		A	Numeric		
14		A	Numeric		
15		A	Numeric		
16		A	Numeric		

1. Capcode : 01 Door Alarm POCSAG address range 0000008-2097151 Must meet with pagers.
Capcode : 02 for Auto Battery Low Alarm message address range 0000008-2097151 Must meet with pagers.
2. Tone A,B,C,D : For pager alert tone for POCSAG encoder option.
3. Type : For pager numeric or alphanumeric type selection.
4. Message : Pre-programming the encoder messages for pager contents
5. ID : For the ID call system such as each specific nurse ID set-up.
6. Data Rate : POCSAG data speed and baud rate in 512bps or 1200bps or 2400bps types.
7. Repeater : Each paging to be calling repeated times.
8. Send Battery Low Message : ✓ Sending the battery low alarm message by wireless
9. Activate the battery low alarm by any capcode 01-16 selection.
10. Buzzer sound : ✓ for the transmission beep sound.
11. TXLED Transmitter LED : ✓ for the transmission LED indication.
12. Battery Low Indicate : ✓ for the battery LED indication.
13. Overlock second call within 10 second : ✓ Prohibited Duplicate calling within 10 seconds.
14. Carrier Frequency: For the Radio Frequency set-up (simply key-in your own frequency).
15. dBm : RF carrier output power set-up.
16. Read : Reading the programmed contents from your devices.
17. Write : Write the programming contents into your devices.
18. Exit : Exiting the programming screen.

A. How to change WD2 battery

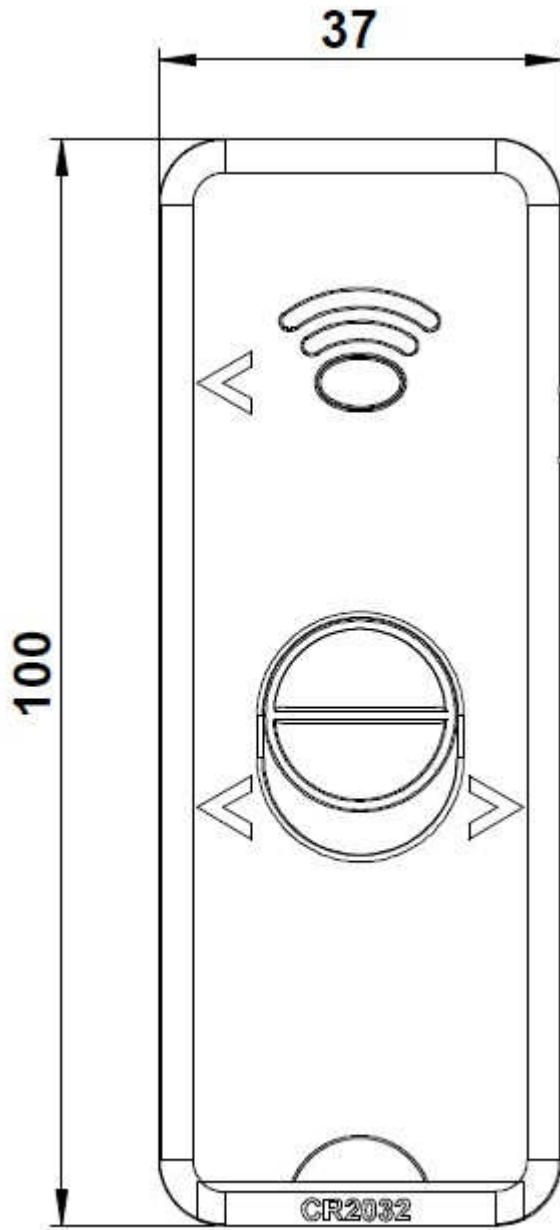
1). Open the WD2 battery cover



2). Then changes with the new CR2032 battery

† Positive side UP





June.18.2014



Wireless Devices Inc. Taiwan www.wirelessdevices.com.tw